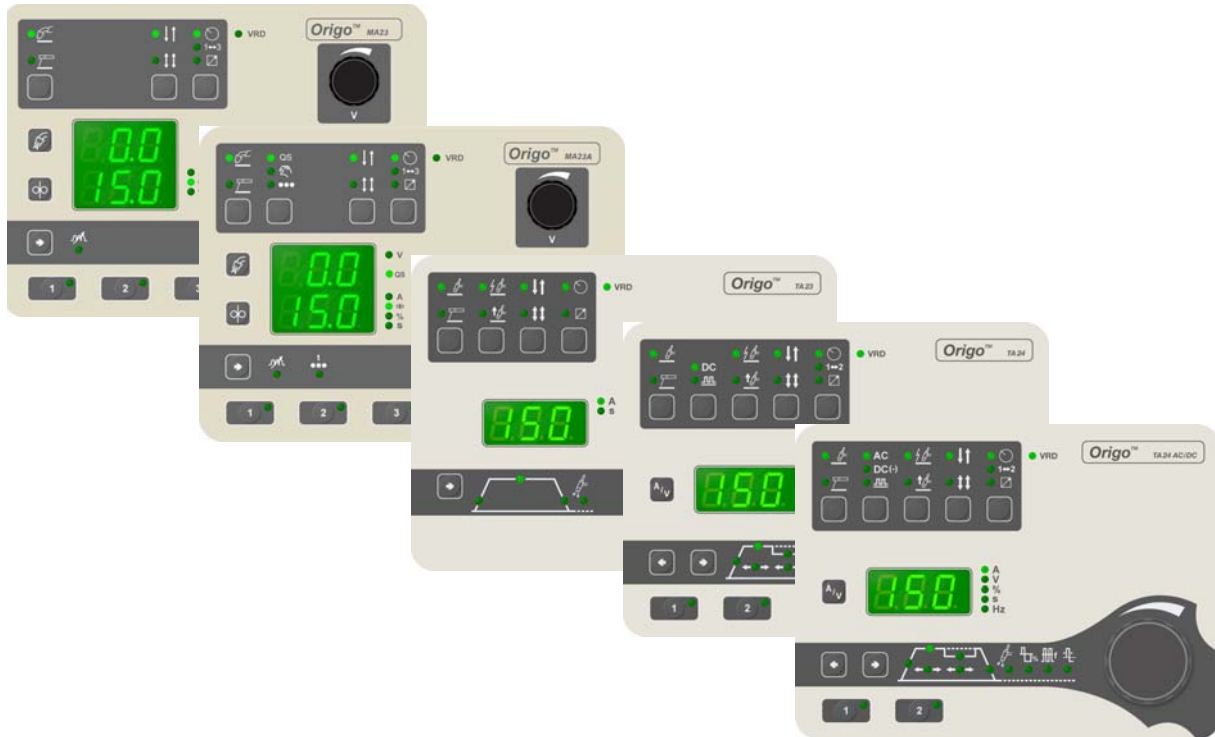


## Spare parts list

Edition 130325



The Control panels MA23 and MA23A are renamed:

| New name     | Old name |
|--------------|----------|
| Origo™ MA23  | MA23     |
| Origo™ MA23A | MA23A    |

Spare parts are to be ordered through the nearest ESAB agency. Kindly indicate type of unit, serial number, denominations and ordering numbers according to the spare parts list.

Maintenance and repair work should be performed by an experienced person, and electrical work only by a trained electrician. Use only recommended spare parts.

Rights reserved to alter specifications without notice.

## MA23, MA23A

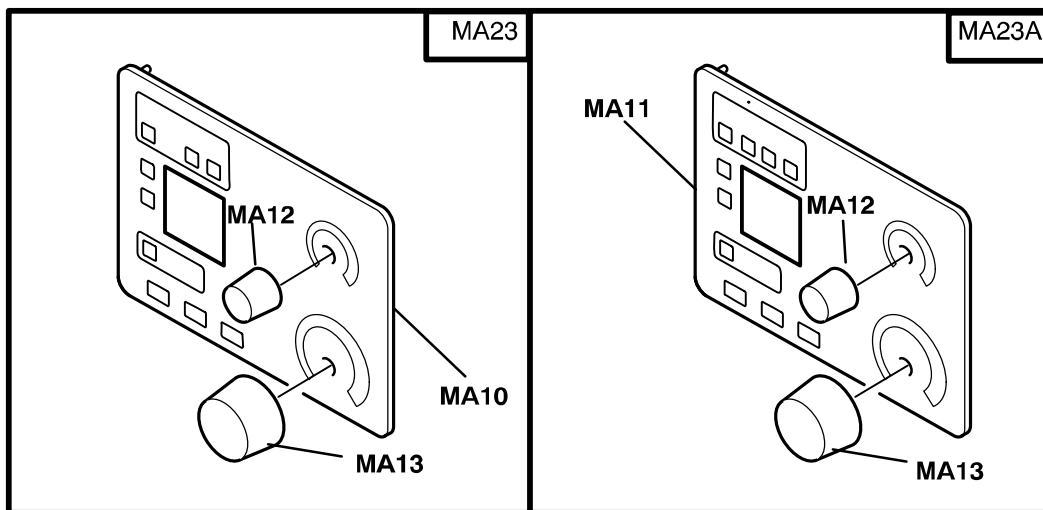
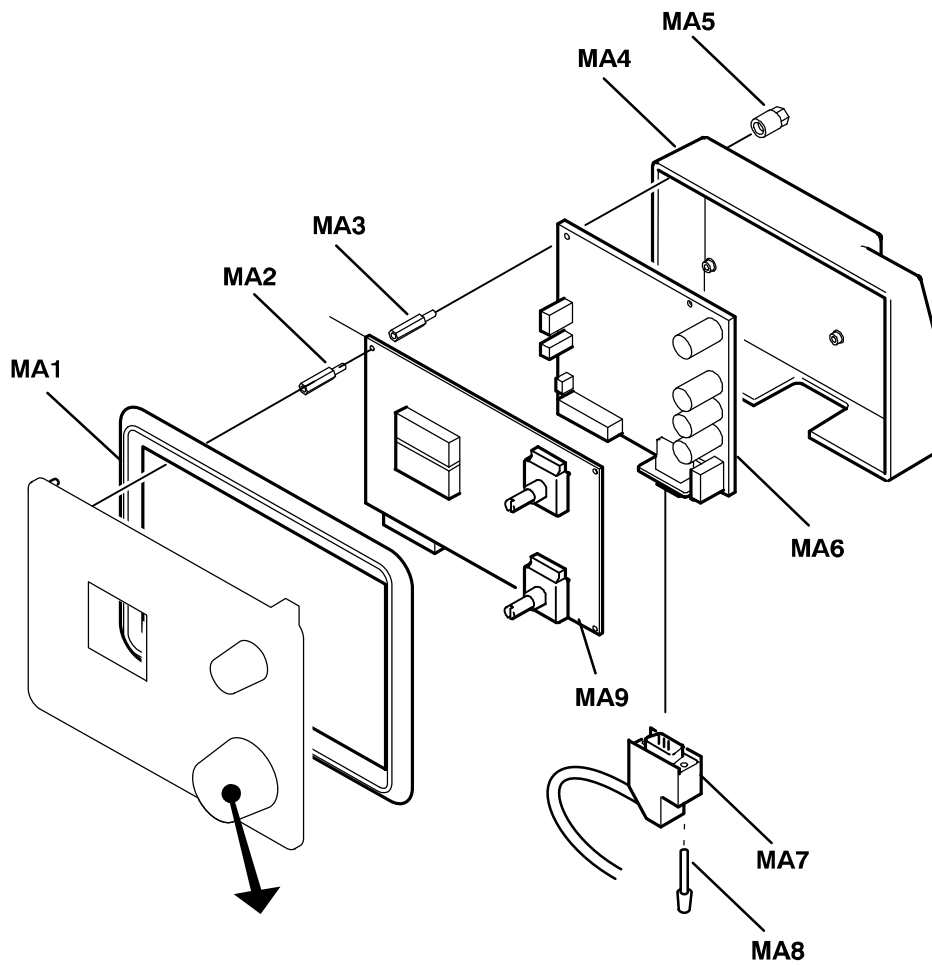
C = component designation in the circuit diagram

| Item | Qty | Ordering no. | Denomination               | Notes   | C    |
|------|-----|--------------|----------------------------|---|------|
|      | 1   | 0459 773 880 | Control panel Origo™ MA23  | Complete, configured                                |      |
|      | 1   | 0459 773 881 | Control panel Origo™ MA23A | Complete, configured                                |      |
| MA1  | 1   |              | Seal                       | Included in item MA50 and MA51                      |      |
| MA2  | 4   |              | Spacer screw               | L = 8mm, Included in item MA50 and MA51             |      |
| MA3  | 4   |              | Spacer screw               | L = 17mm, Included in item MA50 and MA51            |      |
| MA4  | 1   |              | Screening box              | Included in item MA50 and MA51                      |      |
| MA5  | 4   |              | Insulation nut             |   |      |
| MA6  | 1   | 0487 293 880 | Circuit board              | The circuit board must be configured when installed | 1AP1 |
| MA7  | 1   | 0193 052 975 | Connector                  | 9 pole, D-sub                                       |      |
| MA8  | 1   |              | Stud screw                 | Included in MA7                                     |      |
| MA9  | 1   | 0487 273 880 | Circuit board, Display     |   |      |
| MA10 | 1   |              | Membran panel              | MA23, Included in item MA50                         |      |
| MA11 | 1   |              | Membran panel              | MA23A, Included in item MA51                        |      |
| MA12 | 1   | 0321 475 892 | Knob                       | Black   |      |
| MA12 | 1   | 0460 600 521 | Knob                       | Grey  |      |
| MA13 | 1   | 0321 475 893 | Knob                       | Black   |      |
| MA13 | 1   | 0460 600 536 | Knob                       | Grey  |      |

### SPARE PARTS SETS

| Item | Ordering no. | Denomination           | Notes                                      |
|------|--------------|------------------------|--|
| MA50 | 0459 828 880 | Control panel complete | Includes: item MA1, MA2, MA3, MA4 and MA10 |
| MA51 | 0459 828 881 | Control panel complete | Includes: item MA1, MA2, MA3, MA4 and MA11 |

**MA23, MA23A**

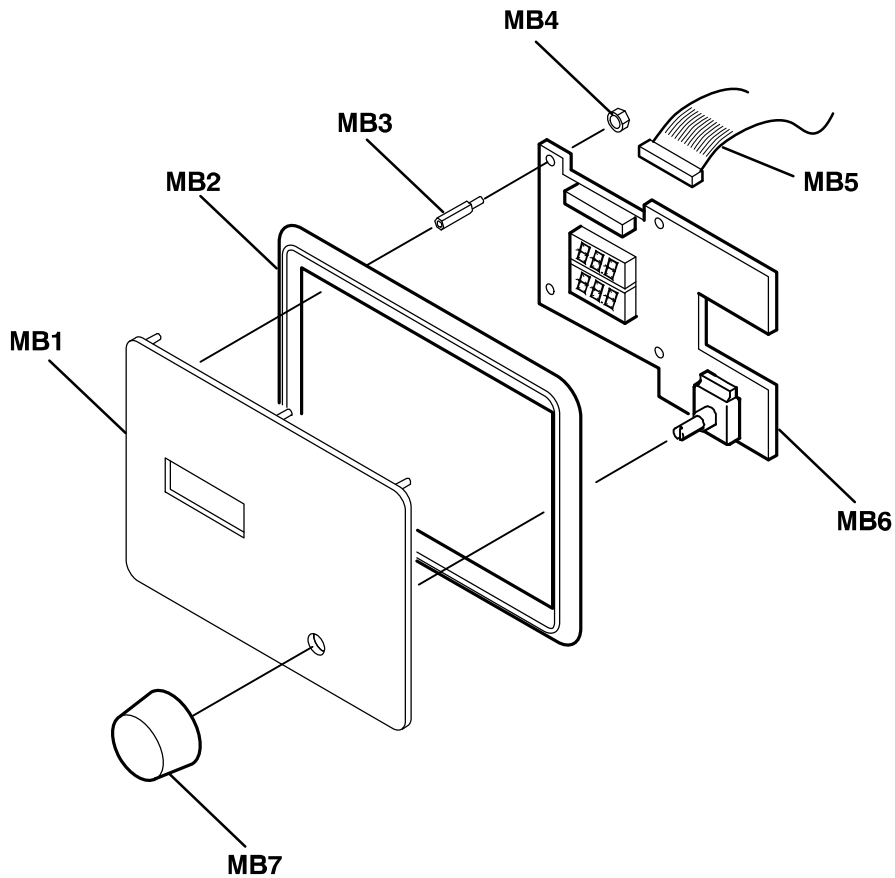


AH 0711

# TA23, TA24, TA24 AC/DC

C = component designation in the circuit diagram

| Item | Qty | Ordering no. | Denomination                    | Notes   | C |
|------|-----|--------------|---------------------------------|---|---|
|      | 1   | 0459 773 884 | Control panel Origo™ TA23       | Complete  |   |
|      | 1   | 0459 773 883 | Control panel Origo™ TA24       | Complete  |   |
|      | 1   | 0459 773 885 | Control panel Origo™ TA24 AC/DC | VRD Complete  |   |
| MB1  | 1   | 0459 828 891 | Operating panel                 | TA23, Includes item MB2, MB3 replacing 0459 828 884       |   |
|      | 1   | 0459 828 890 | Operating panel                 | TA24, Includes item MB2, MB3 replacing 0459 828 883       |   |
|      | 1   | 0459 828 885 | Operating panel                 | TA24 AC/DC, Includes item MB2, MB3 replacing 0459 828 882 |   |
| MB2  | 1   |              | Seal                            | Included in item MB1                                      |   |
| MB3  | 4   |              | Spacer screw                    | L = 8mm, M3x8, Included in item MB1                       |   |
| MB4  | 4   |              | Nut                             | M4  |   |
| MB5  | 1   | 0193 700 708 | Ribbon cable with connectors    | 34 pole   |   |
| MB6  | 1   | 0487 273 881 | Circuit board, Display          |   |   |
| MB7  | 1   | 0321 475 893 | Knob                            | Black   |   |
| MB7  | 1   | 0460 600 536 | Knob                            | Grey  |   |



AH 0788

